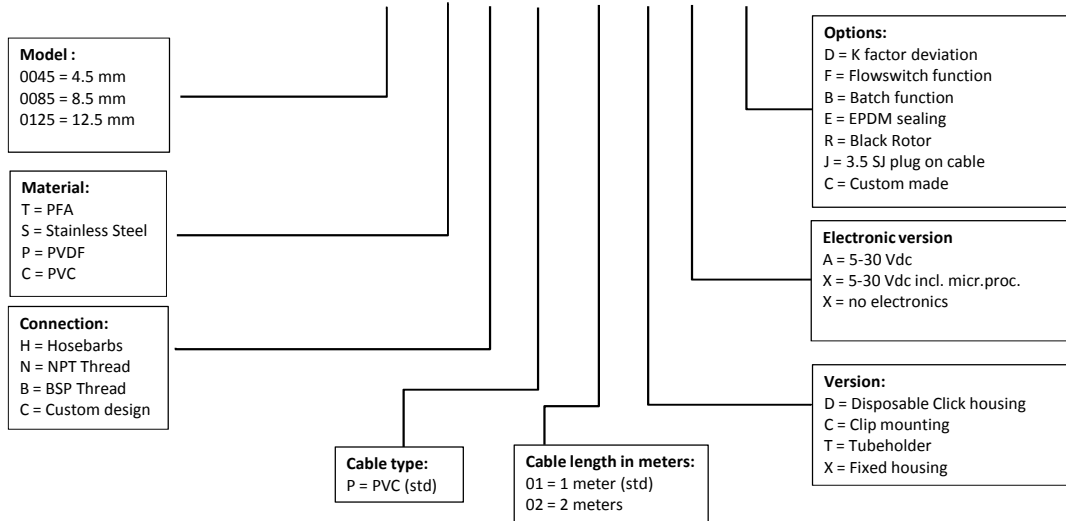




Flowmeter Order codes:

0045 . T . H . P . 01 . T . A - J



Availability Flowmeter Electronics:

A = Powersupply between 5 - 30 Vdc.
X = An add on cabel device with programmable functions is mounted on the cable. Choose an X instaed of A as last PN digit.
Suitable for functional reprogramming functional settings, such as Flowswich mode, - Batch Mode - K factor dividing.

All Flowmeters standard:
With 1 mtr PVC cable.
Fixed and SS versions with Viton seals
Standard Electronics 5-30 Vdc [A]
Other specs and specialties on request.

Delivery Conditions:
Additional small order charge € 25.00 for orders under € 250.00
Delivery strictly under Eqflow general terms of delivery
All prices in Euro € without VAT and ex works
Eqflow BV VAT nbr: NL802667995B01

Please contact Eqflow BV at any doubt or question.

Eqflow BV
Po box 35
NL 5370 AA Ravenstein
The Netherlands
T 0031 24 3792666
E sales@eqflow.com
www.eqflow.com